



## • ED8032 Series.

**DC Brushless fan.**

**Size: 80 x 80 x 32 mm**

**3.1x1.25 Inches.**

**Airflow: Max.88 CFM /2.5 m<sup>3</sup>/min**

**Plastic Impeller / Plastic Frame.**

Model No.	Rated Voltage	Voltage Range	Input Power	Rated Current	Ref Speed	Max. Airflow		Max. Static Pressure		Noise Level	PQ Curves
	VDC	VDC	Watt	Amp	RPM	CFM	m <sup>3</sup> /min	Inch/H <sub>2</sub> O	mm/H <sub>2</sub> O	dB (A)	
ED8032-12HHH **	12	7~13.2	11.4	0.95	6800	88	2.5	0.89	22.61	54	1
ED8032-12HH **	12	7~13.2	8.4	0.7	6400	83	2.4	0.79	20.07	53	2
ED8032-12H **	12	7~13.2	7.8	0.65	6000	77	2.2	0.73	18.54	50	3
ED8032-12M**	12	7~13.2	6.0	0.5	5500	71	2.0	0.61	15.49	48	4
ED8032-12L**	12	7~13.2	4.8	0.4	4800	62	1.8	0.45	11.43	45	5
ED8032-24HHH **	24	14~26.4	12	0.5	6800	88	2.5	0.89	22.61	54	1
ED8032-24HH**	24	14~26.4	10.8	0.45	6400	83	2.4	0.79	20.07	53	2
ED8032-24H**	24	14~26.4	9.6	0.4	6000	77	2.2	0.73	18.54	50	3
ED8032-24M**	24	14~26.4	8.4	0.35	5500	71	2.0	0.61	15.49	48	4
ED8032-24L**	24	14~26.4	6	0.25	4800	62	1.8	0.45	11.43	45	5

\*\* = "BL" for wire lead type Ball bearing Type.

•We reserve the right to change data and improve electrical & mechanical design without notice. data tolerance +10%

### Motor

Motor Type: Brushless DC Motor, auto cutoff, auto restart  
 Burnout Protection: Electronically protected, polarity protected  
 IP Protection: Ratings on request

### Mechanical

Frame: Glass fiber reinforced thermoplastic, rated UL94V-0  
 Impeller: 5 blades, glass fiber reinforced plastic, rated UL94V-0  
 Bearing: Two ball bearings  
 Rotation: CCW seen on rotor  
 Connection: Wire lead  
 Weight: 120g (0.264 Lbs)

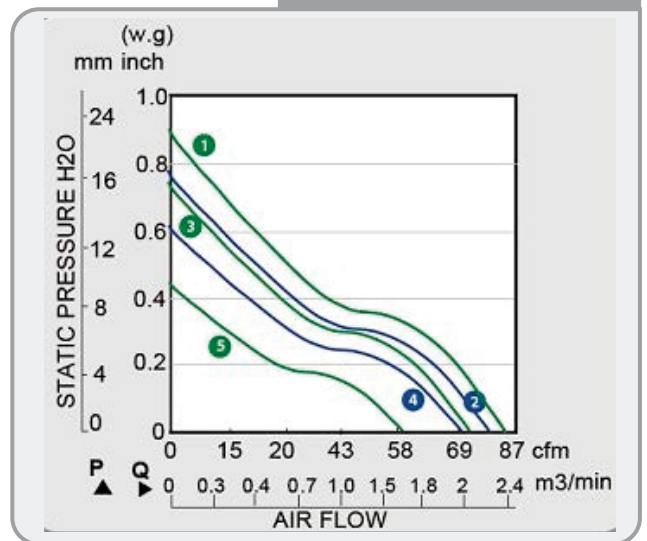
### Electrical

Dielectric Strength: 500 VAC/min. Max leakage 500mA  
 Speed Control: Optional:PWM, S/C NTC thermister on request  
 Signal Output: Optional:R/D alarm output, tachometer output F/G

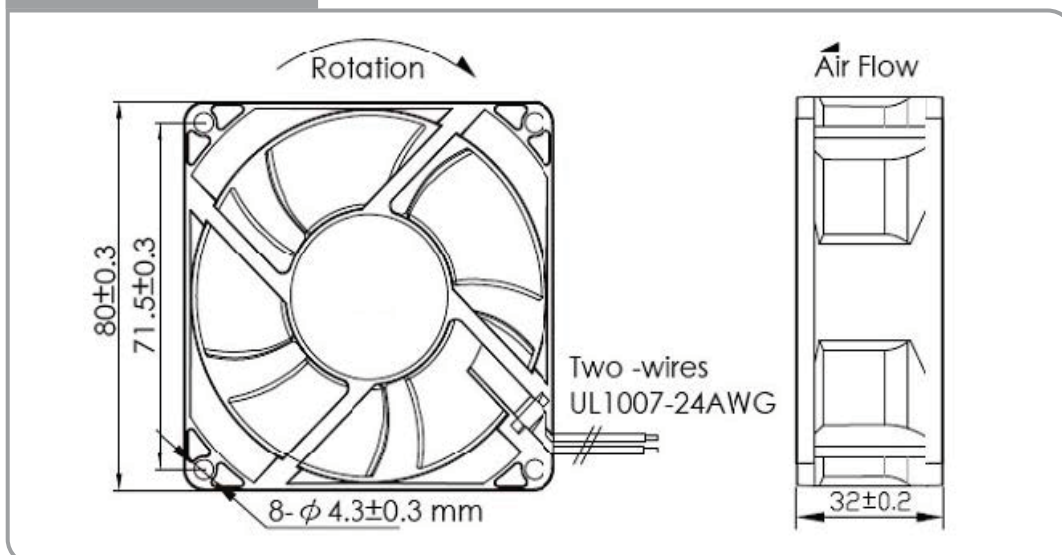
### Environment

Operating Temp: Ambient non-condensing -15°C~+65°C  
 Storage Temp: -25°C~+80°C (at 65%RH)  
 Life Expectancy: L10 60K hours at 45°C, 45K hours at 65°C

### ▶ Performance P-Q Curves.



### ▶ Outline Dimensions.



### Fan Accessories



Metal Fan Guards



Plastic Fan Guards



Plastic Fan Filter



Metal Fan Screens